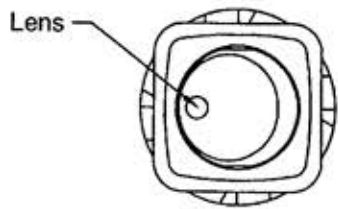
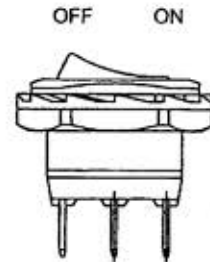
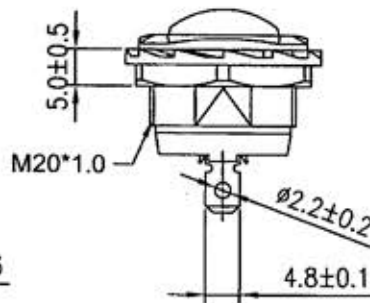
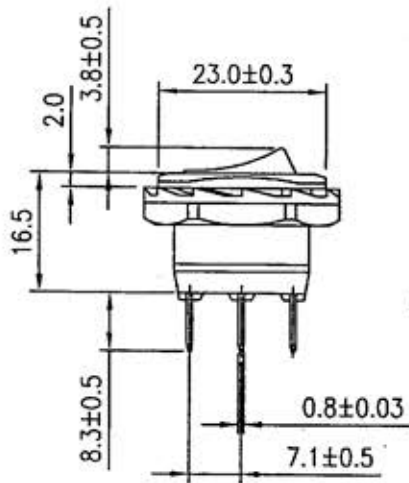


Rating	20A 14VDC		Circuit Diagram	
Contact Resistance	50m ohm Max.		OFF	
Insulation Resistance	DC 500V 100M ohm Min.		ON	
Dielectric Strength	AC 1500V 1 minute			
Operation Temperature	-20°C-85°C			
Switch Function	3P SPST ON-OFF (LED dependent)			



* Material
 Frame: Black,Nylon#66+33%GF
 Actuator: Black,Nylon#66
 Lens: Red,PC
 LED: Red
 Printed: None



UNIT	mm	DEL CITY P/N	7510000	REV.	1	
------	----	--------------	---------	------	---	--