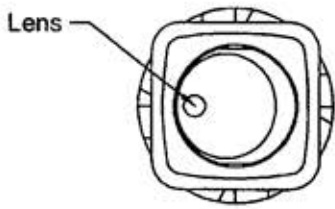


Rating	20A 14VDC		Circuit Diagram	
Contact Resistance	50m ohm Max.		OFF	
Insulation Resistance	DC 500V 100M ohm Min.			
Dielectric Strength	AC 1500V 1 minute		ON	
Operation Temperature	-20°C~85°C			
Switch Function	3P SPST ON-OFF (LED dependent)			



Material

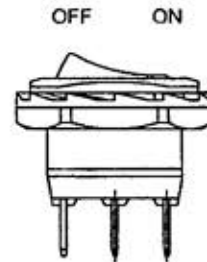
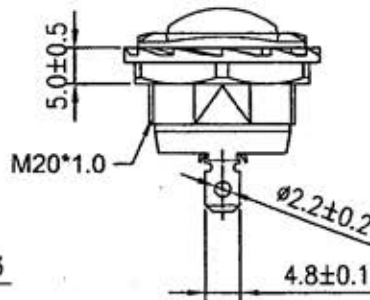
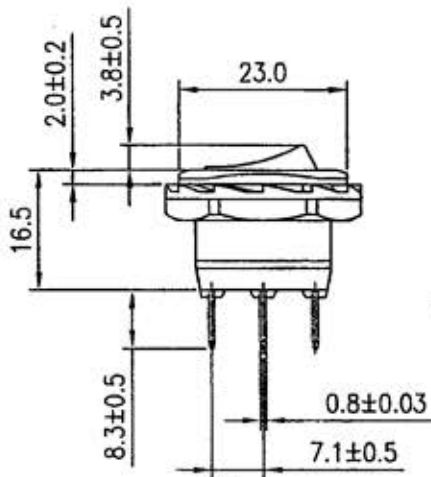
Frame: Black,Nylon#66+33%GF

Actuator: Black,Nylon#66

Lens: Amber Clear, PC

LED: Amber

Printed: None



Tolerances ±0.3 Unless Otherwise Specified

UNIT	mm	DEL CITY P/N	7510005	REV.	1	
------	----	--------------	---------	------	---	--