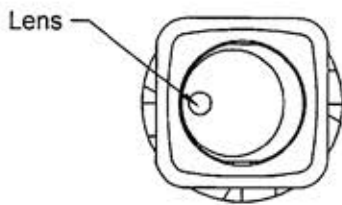
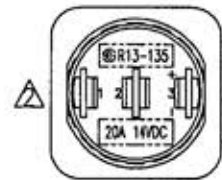
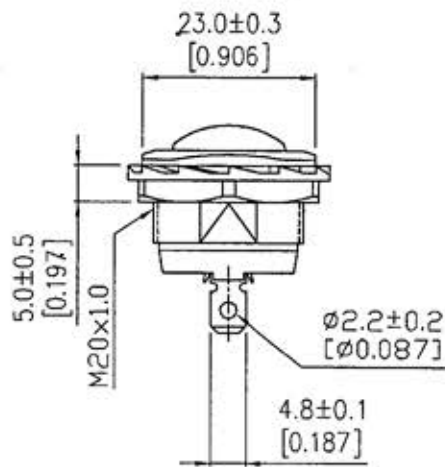
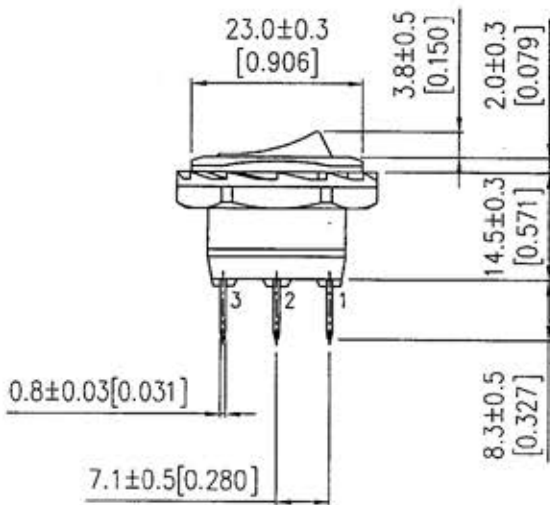


Rating	20A 14VDC	Mounting Hole	Circuit Diagram
Contact Resistance	50m ohm Max.		OFF
Insulation Resistance	DC 500V 100M ohm Min.		ON
Dielectric Strength	AC 1500V 1 minute		
Operation Temperature	-20°C ~ 85°C		
Switch Function	3P SPST ON-OFF (LED dependent)		



Material:
 Frame: Black, Nylon#66+33%GF
 Actuator: Black, Nylon#66
 Lens: Green, PC
 LED: Green
 Printed: None



v

UNIT	mm	DEL CITY P/N	7510010	REV.	2	
------	----	--------------	---------	------	---	--