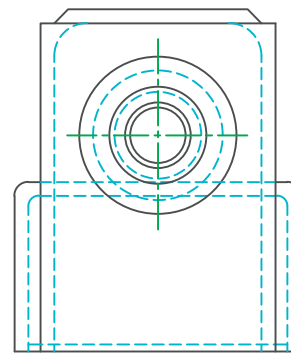
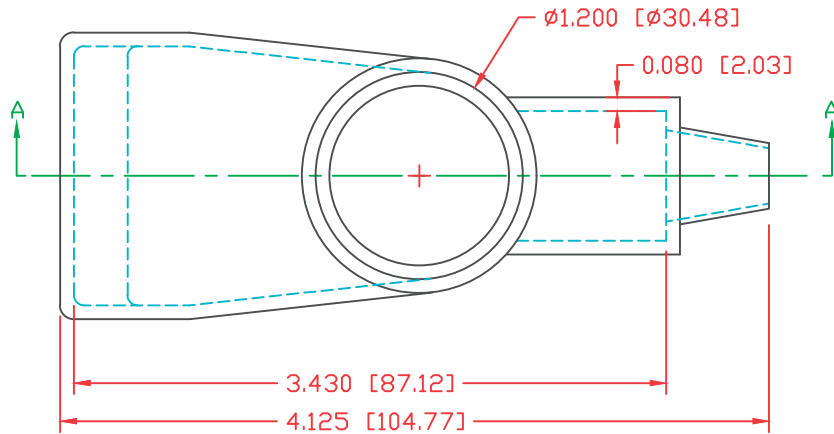


SECTION A-A

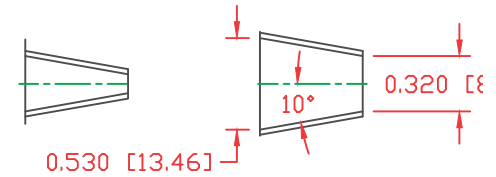


SEAL NO. 2 SHOWN



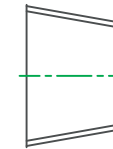
SEAL OPTIONS

SEAL THICKNESS = .8




NO. 1
Cable Gages
10 - 6

NO. 2
Cable Gages
6 - 1/0



NO. 3
Cable Gages
1/0 - 4/0

		PART NO.: 901555
MARINE BATTERY TERMINAL INSULATOR, 6 GA, RED (1 MIN)		
VTE PART NO	1101650102	
MATERIAL	PVC	
VENDOR PART NO	9812-65-RED 683	
SHORE DUROMETER	"A" 10 SEC. 65	
SPECIFIC GRAVITY	1.34	
ULT. ELONGATION %	400	
MELTING TEMP	315-335° F [157-168° C]	
BRITTLE TEMP	-54° F [-48° C]	
TENSILE STRENGTH PSI	1550 PSI	
DIELECTRIC STRENGTH, V./MIL	511	
UL RATING	V2	
DIAGRAM NOT TO SCALE		