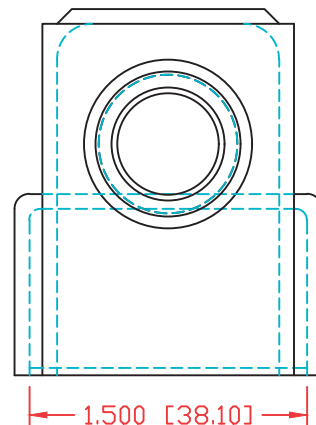
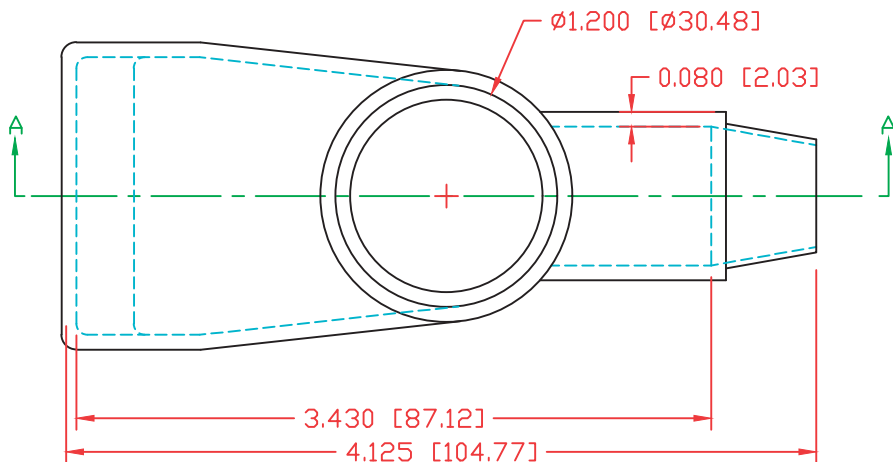


SECTION A-A

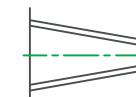


SEAL NO. 3 SHOWN

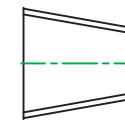


SEAL OPTIONS

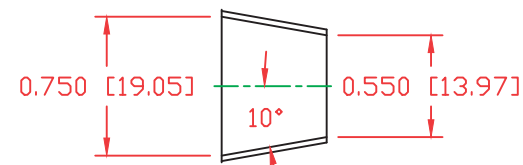
SEAL THICKNESS = .8




NO. 1  
Cable Gages  
10 - 6



NO. 2  
Cable Gages  
6 - 1/0



NO. 3  
Cable Gages  
1/0 - 4/0

		PART NO.: 901585
MARINE BATTERY TERMINAL INSULATOR, 3/0 GA, RED (1 MIN)		
VTE PART NO	1101650114	
MATERIAL	PVC	
VENDOR PART NO	9812-65-BLACK	
SHORE DUROMETER	"A" 10 SEC. 65	
SPECIFIC GRAVITY	1.34	
ULT. ELONGATION %	400	
MELTING TEMP	315-335° F [157-168° C]	
BRITTLE TEMP	-54° F [-48° C]	
TENSILE STRENGTH PSI	1550 PSI	
DIELECTRIC STRENGTH, V/MIL	453	
UL RATING	V2	
DIAGRAM NOT TO SCALE		