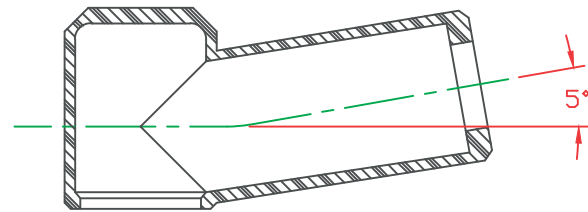
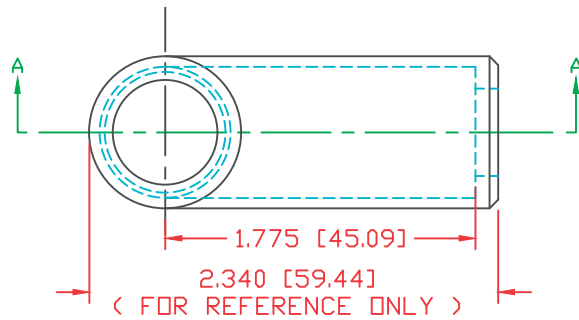


SECTION A-A
 TYP. WALL THICKNESS = .060" [1.5]
 TYP. BEVEL = 45°



SECTION A-A
 ALLOWABLE DISTORTION



PART NO.: 901925

3/8" STUD TERMINAL INSULATOR, 2-2/0 GA, BLACK (1 MIN)	
MATERIAL PART NO	1101650114
MATERIAL	PVC
VENDOR PART NO	9812-65-BLACK
SHORE DUROMETER	"A" 10 SEC. 65
SPECIFIC GRAVITY	1.34
ULT. ELONGATION %	400
MELTING TEMP	315-335° F [157-168° C]
BRITTLE TEMP	-54° F [-48° C]
TENSILE STRENGTH PSI	1550 PSI
DIELECTRIC STRENGTH, V/MIL	453
UL RATING	V2
DIAGRAM NOT TO SCALE	