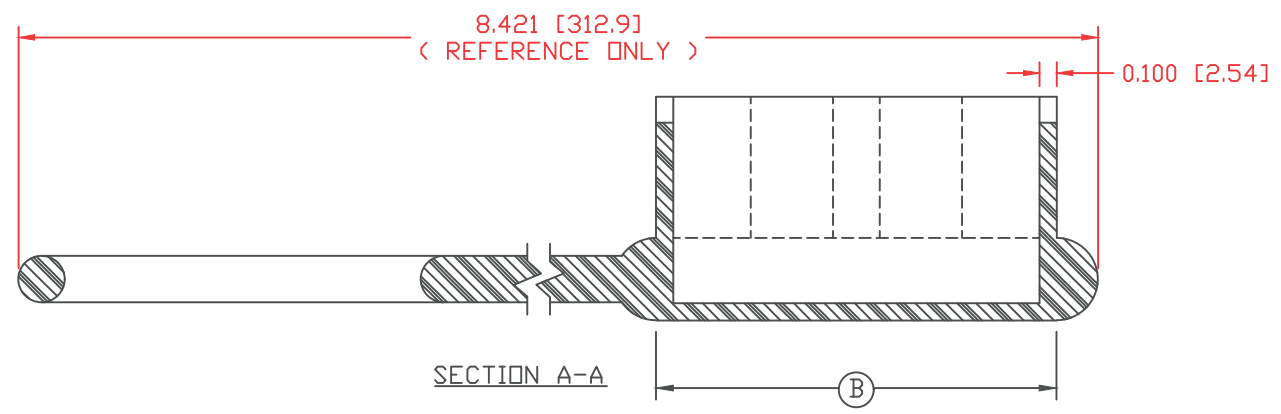
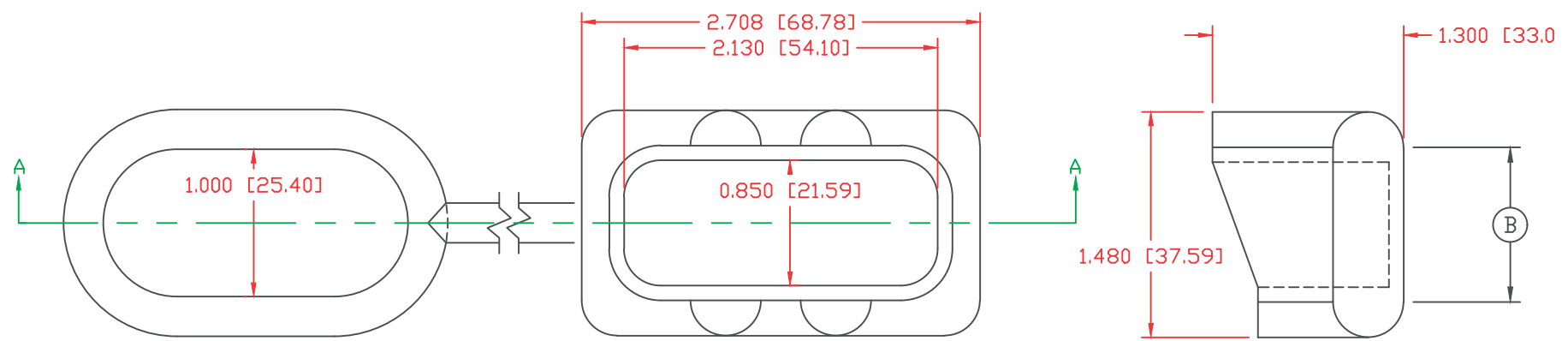



A B C D E F G H I J K

TYP. WALL THICKNESS = 2.5

TYP. RADIUS = 6.1 (UNLESS NOTED)



		PART NO.: 915175
PROTECTIVE CAP FOR 175A SB HOUSING, BLACK (1 MIN)		
MATERIAL PART NO	1101650114	
MATERIAL	PVC	
VENDOR PART NO	9812-65-BLACK	
SHORE DUROMETER	"A" 10 SEC. 65	
SPECIFIC GRAVITY	1.34	
ULT. ELONGATION %	400	
MELTING TEMP	315-335° F [157-168° C]	
BRITTLE TEMP	-54° F [-48° C]	
TENSILE STRENGTH PSI	1550 PSI	
DIELECTRIC STRENGTH, V./MIL	453	
UL RATING	V2	
DIAGRAM NOT TO SCALE		

A B C D E F G H I J K